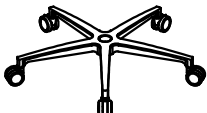

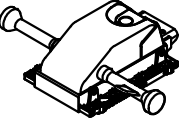
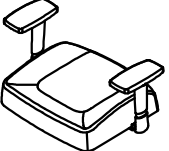
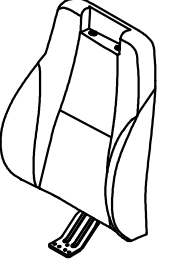
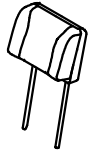

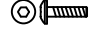


# B1

NO.	Parts List	Q'ty
①		X1
②		X1
③		X1
④		X1
⑤		X1
⑥		X1
⑦	 M8X16	X5
⑧	 M6X20	X4

